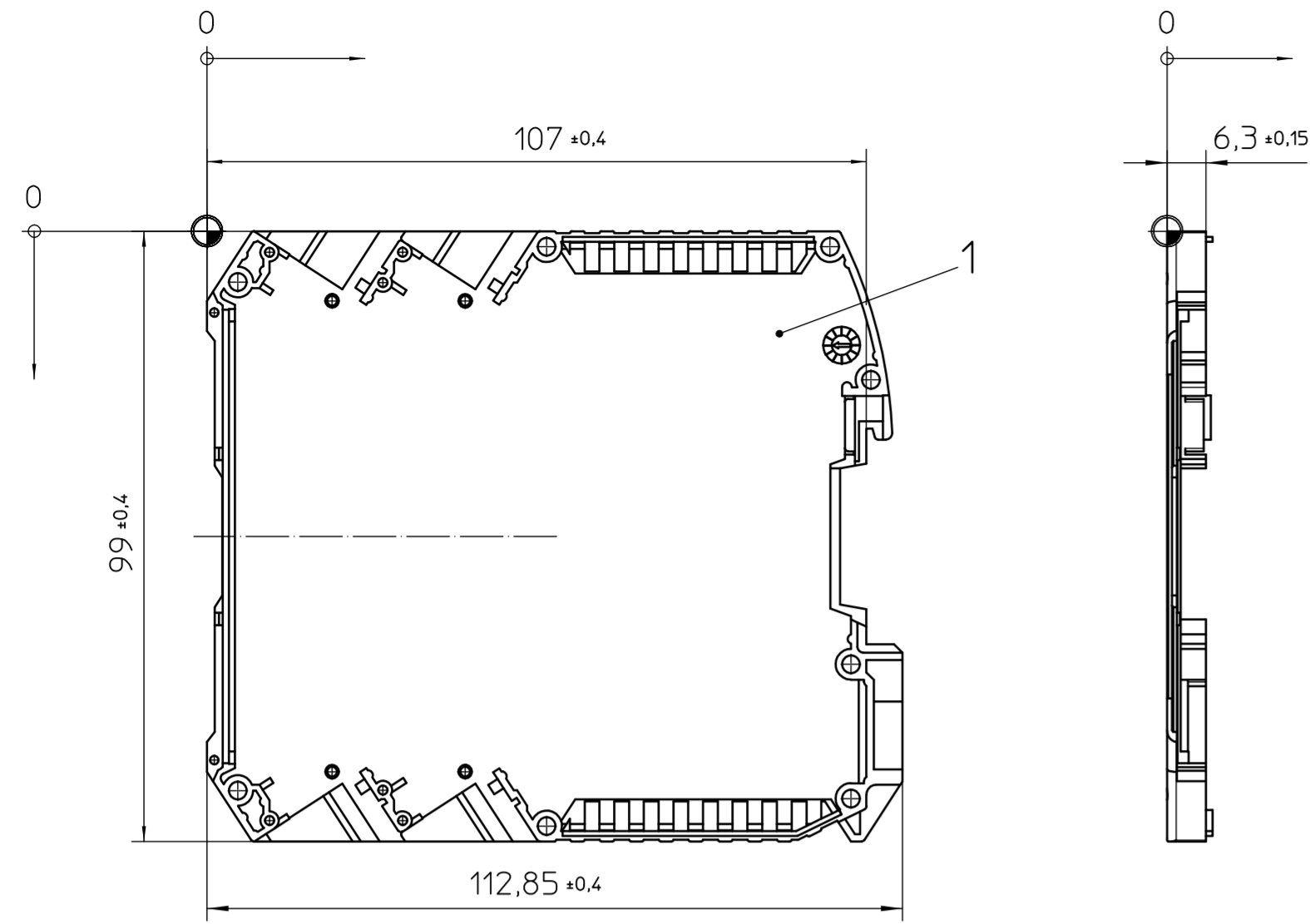
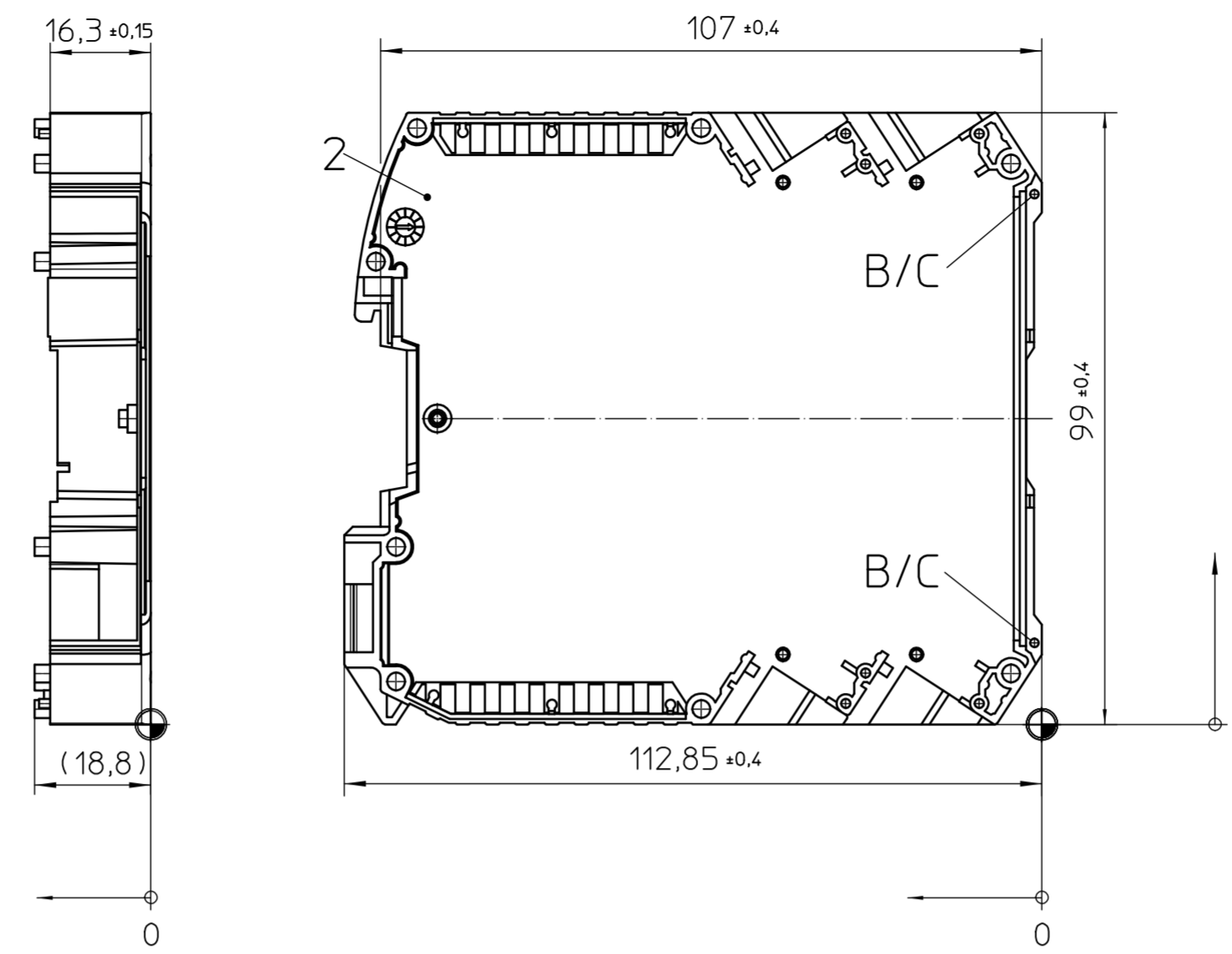


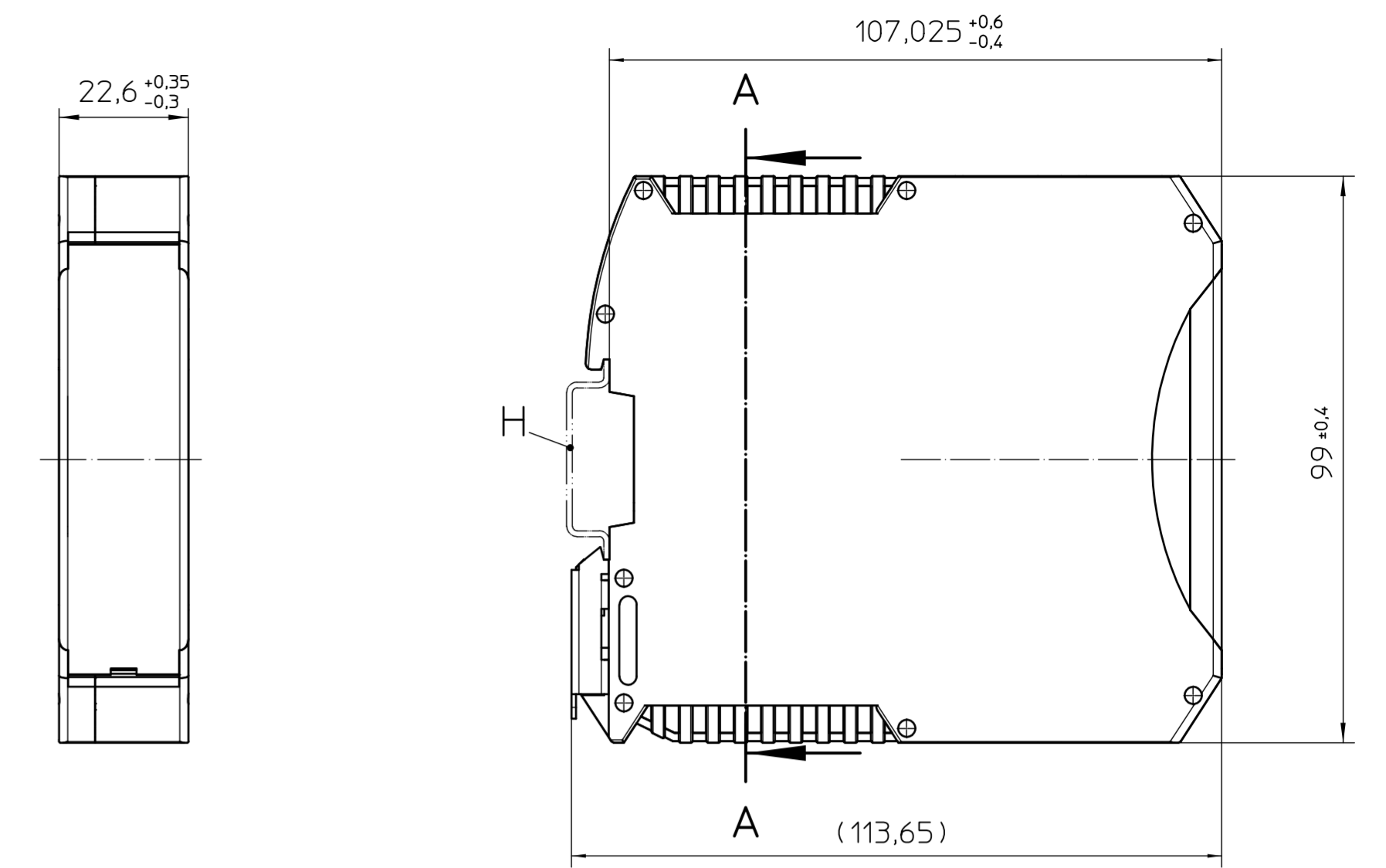
HOUSING LEFT



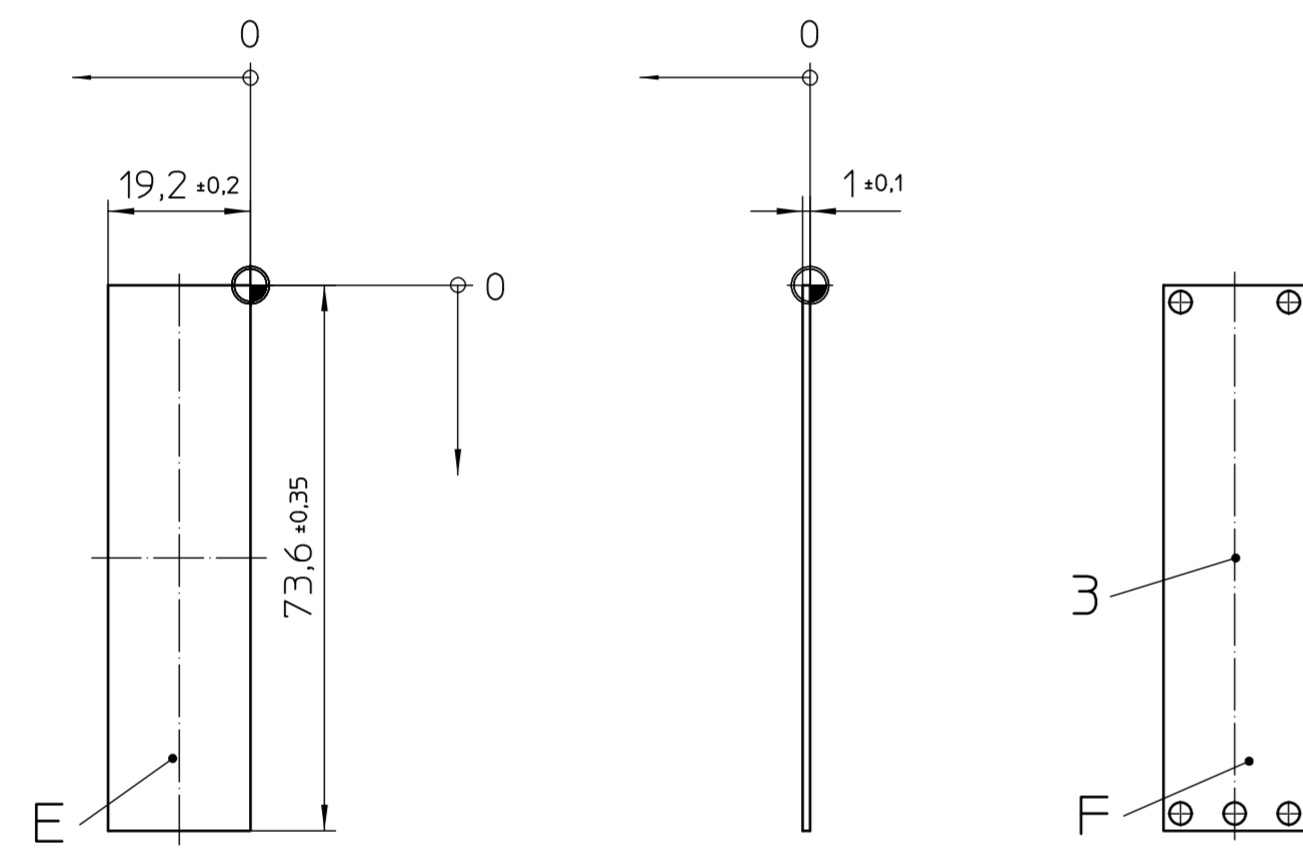
HOUSING RIGHT



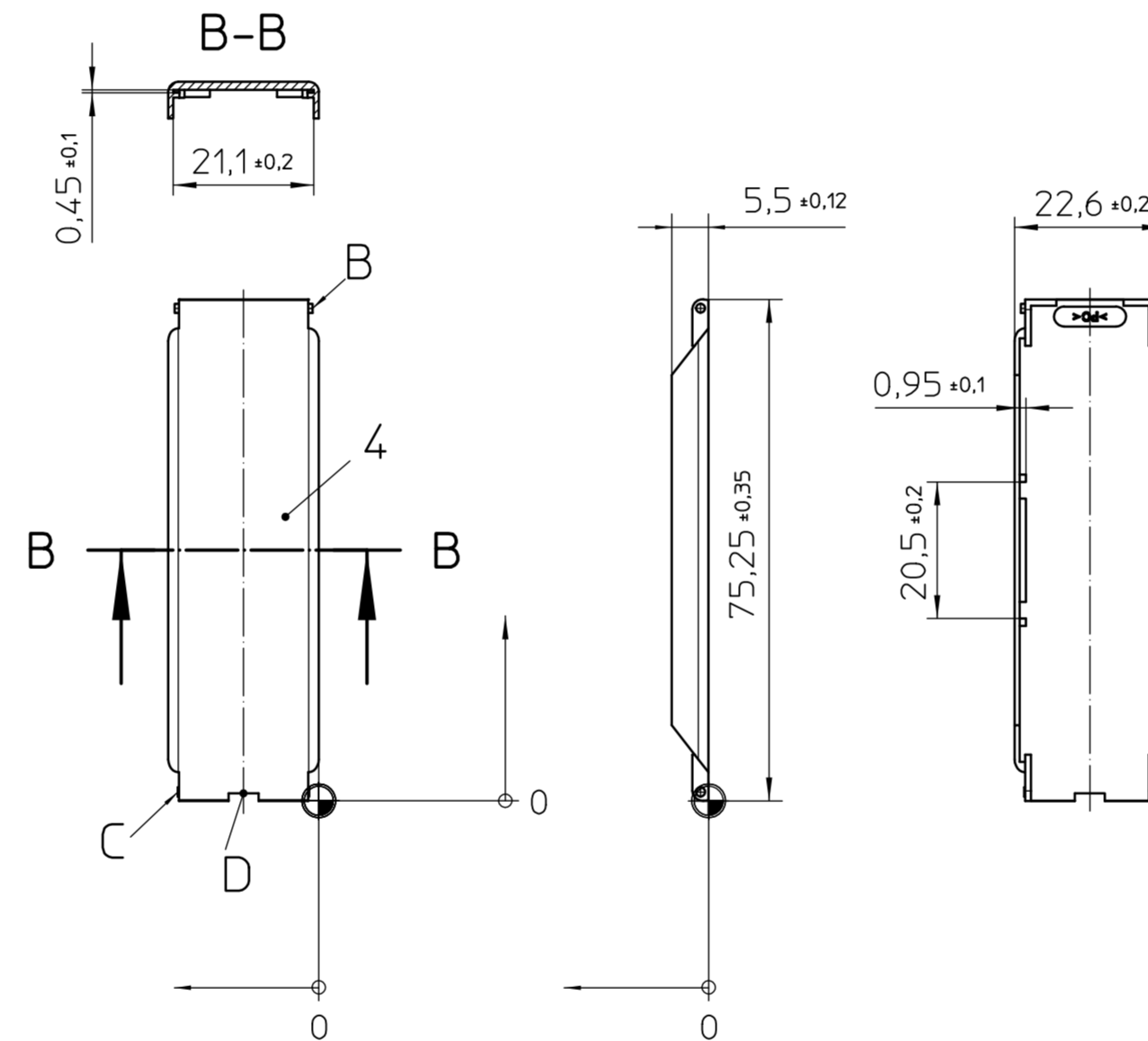
Assembly example: ME MAX 22,5 2-2



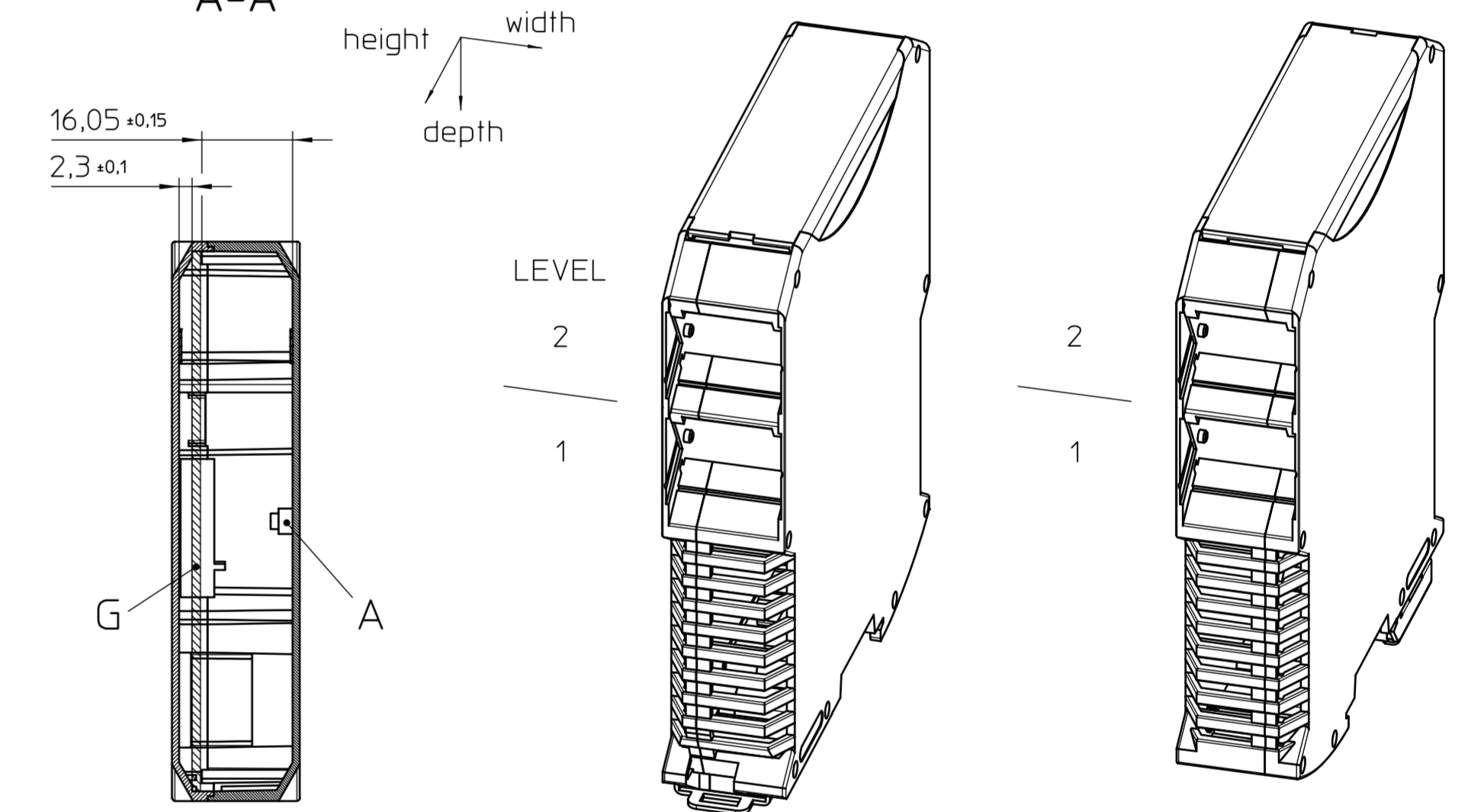
FRONT PLATE



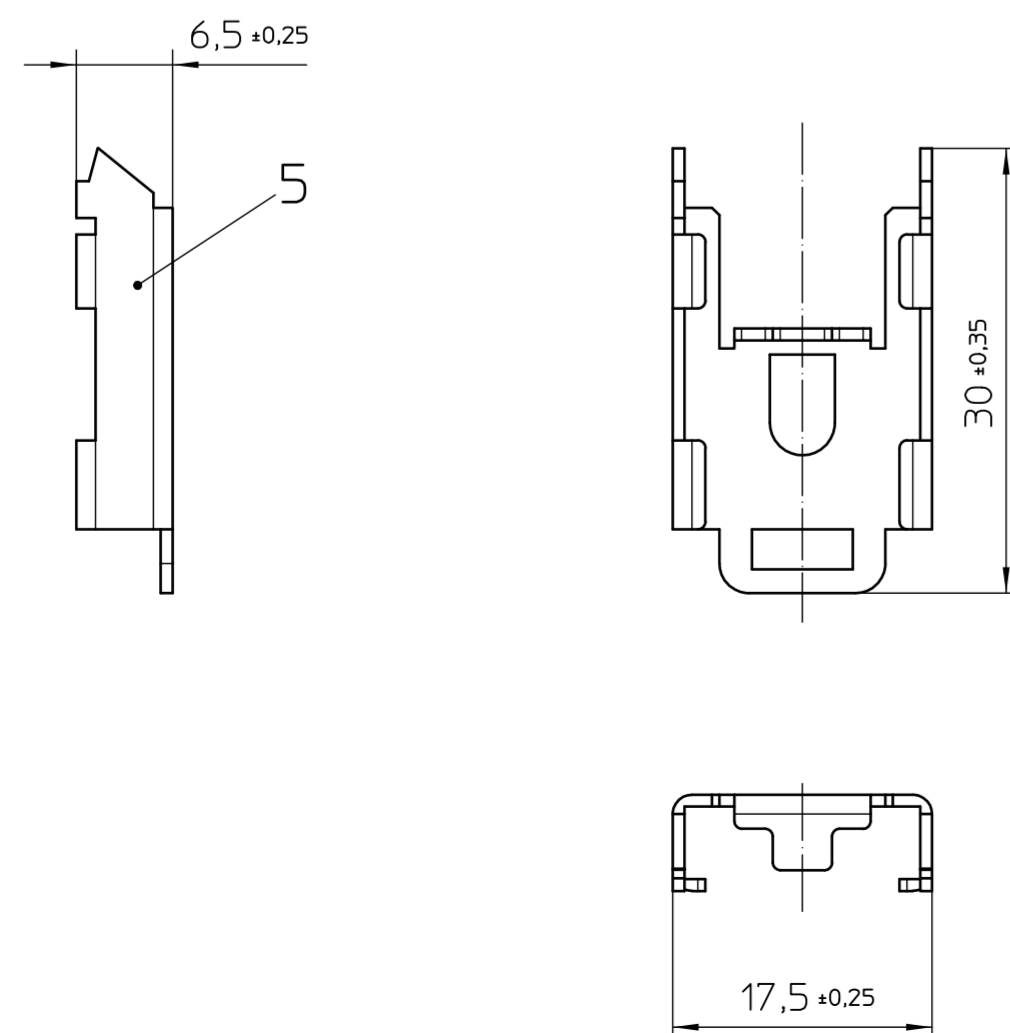
HINGED COVER



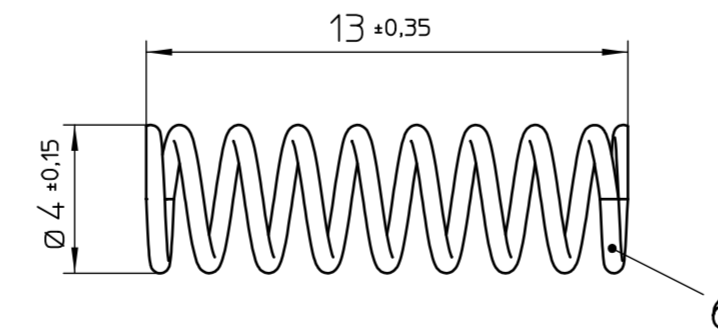
A-A



FOOT CATCH
2:1



SPRING
5:1



Transfer of application of this document as well as the utilization of its content are not permitted unless express consent is granted. Violations give rise to claims for damages. All rights reserved in case of patent, utility model or design patent registrations.

Mikrographische oder verfilmte Kopien dieses Dokuments, Vervielfältigung und Mitteilung seiner Inhalte sind verboten, soweit nicht ausdrücklich gestattet. Zuwiderhandlungen verpflichten zu Schadenersatz. Alle Rechte für den Fall der Patent-, Gebrauchsmuster- oder Designanmeldungen vorbehalten.

General Information
 A. Attachment point for the optional PCB
 B. Pivot bearing HINGED COVER
 C. Lacking HINGED COVER
 D. Notch for locking release, by screw driver
 E. Exposed side
 F. Inner side
 G. Recommended PCB outline on www.phoenixcontact.com webcode: #0512
 H. Mounting rail like EN 60715: TH 35-7.5 or mounting rail TH 35-15x1.5 similar to EN 60715
 ● = Workpiece zero point for mechanical processing

KIT

ME MAX 22,5 2-2		
Pos.	QTY	Description
1	1	HOUSING LEFT
2	1	HOUSING RIGHT
3	1	FRONT PLATE
4	1	HINGED COVER
5	1	FOOT CATCH
6	1	SPRING

- Simplified representation
 - Document excluded from change process
 - CAD Data see Download-Center on www.phoenixcontact.com
 - Linear dimensions [mm]
 - Tolerances, apply in a normal climate according to DIN 50014-23/50-2, with about 2% (% by weight) moisture content.

DIN A1	document-No. / RI 00872964 / 01	date 13.04.2018	scale 1:1
ident.-No. 2713625	document-type TECDOC 2D_Productdrawing	description ME MAX 22,5 2-2 KMGY	
page 1 of 1			